



Fax +32 2 359 95 50

Copies of the I/B. Please reproduce them without any changes except under special instruction from Team International BELGIUM. The pages must be reproduced and folded in order to obtain a booklet A5 (+/- 148.5 mm width x 210 mm height). When folding, make sure you keep the good numbering when you turn the pages of the I/B. Don't change the page numbering. Keep the language integrity.



KALORIK



www.KALORIK.com



Wine Center

**Abrebotellas de vino
eléctrico**

Set Œnologie

CKS 40211

3.6V + 3.6V DC

UL adapter 9.0V – 200 mA



Front cover page (first page)

Assembly page 1/30



Fax +32 2 359 95 50

Copies of the I/B. Please reproduce them without any changes except under special instruction from Team International BELGIUM. The pages must be reproduced and folded in order to obtain a booklet A5 (+/- 148.5 mm width x 210 mm height). When folding, make sure you keep the good numbering when you turn the pages of the I/B. Don't change the page numbering. Keep the language integrity. **Print only what is inside the frame.**



(EN) OPERATING INSTRUCTIONS

IMPORTANT SAFEGUARDS

When using your appliance, basic safety precautions should always be followed, including the following.

- 1. Read all instructions prior to using**
2. Do not use outdoors or charge outdoors. For normal, domestic household use only.
3. For indoor use only. Do not expose the electric wine bottle opener, wine preserver or charging unit to rain or other extreme conditions.
4. Do not allow this item to be used as a toy. Close attention is necessary when used by or near children
5. Do not use the electric wine bottle opener for other than the intended use.
6. Do not use with damaged cord or plug. Do not use wine opener if it has been dropped, damaged, left outdoors, or dropped in water. Return it to the service center for examination, repair or adjustment.
7. Never force the electric wine bottle opener onto a bottle or attempt to speed up the mechanism. The electric wine bottle opener will work best when it is operated at its intended speed.
8. Do not attempt to open the electric wine bottle opener, wine preserver or the recharging base. It has no serviceable parts. Charge the electric wine bottle opener and preserver only by using the recharging base and adapter supplied.
9. Do not attempt to open bottles if the switch is not working correctly.
10. Do not touch or adjust the electric wine opener's or preserver's mechanism or the corkscrew spiral. Hold the electric wine opener and preserver by its housing only.
11. To protect against risk of electrical shock, do not put the electric wine opener, the wine preserver or the base in water or other liquids. This may cause personal injury and/or damage to the product.
12. Use of attachments not recommended or sold by this wine center manufacturer may cause fire, electrical shock, injury or damage to the product.



Fax +32 2 359 95 50

Copies of the I/B. Please reproduce them without any changes except under special instruction from Team International BELGIUM. The pages must be reproduced and folded in order to obtain a booklet A5 (+/- 148.5 mm width x 210 mm height). When folding, make sure you keep the good numbering when you turn the pages of the I/B. Don't change the page numbering. Keep the language integrity. **Print only what is inside the frame.**



13. Never remove the plug from the socket by pulling the power cord.
14. To protect against fire, do not operate the unit in the presence of explosive and/or flammable fumes.
15. Do not abuse the charger cord. Never carry the charger or base by the cord or yank to disconnect from an outlet; instead grasp the charger and pull the plug out from the charger to disconnect. Then remove adapter from the wall outlet.
16. Keep charger cord away from heated surfaces.
17. Do not handle plug or appliance with wet hands.
18. Don't use abrasive materials to clean the wine opener. Do not immerse the unit in water or any other liquids.
19. Read and follow all operational instructions.
20. Do not use charger with an extension cord. Plug charger directly into an electrical outlet. Use charger only in a standard (110-120V, 60 Hz) electrical outlet
21. This appliance contains re-chargeable batteries. Do not dispose of the product into a fire as this may cause an explosion.

CAUTION: The corkscrew spiral is sharp. Handle carefully. Keep hands and utensils out of the unit while operating to prevent the possibility of severe personal injury and/or damage to the product or property.

SAVE THESE INSTRUCTIONS HOUSEHOLD USE ONLY

SAFETY WARNING

Although your appliance is easy to operate, for your safety, the warnings below must be followed:

1. Do not place the appliance near a heat source.
2. Use the appliance on a stable surface.
3. Do not unplug the adapter by pulling on the supply cord.
4. The base must be unplugged:
 - Before any cleaning or maintenance
 - If the appliance appears to be faulty



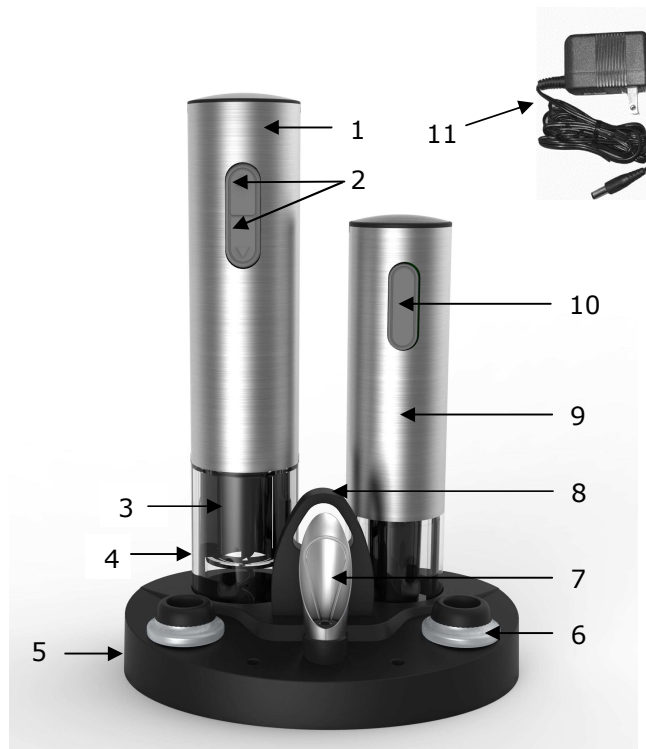
Fax +32 2 359 95 50

Copies of the I/B. Please reproduce them without any changes except under special instruction from Team International BELGIUM. The pages must be reproduced and folded in order to obtain a booklet A5 (+/- 148.5 mm width x 210 mm height). When folding, make sure you keep the good numbering when you turn the pages of the I/B. Don't change the page numbering. Keep the language integrity. **Print only what is inside the frame.**



PARTS

- | | |
|--------------------------------|--|
| 1. Stainless steel wine opener | 7. Wine pourer with cap |
| 2. Power Up/Down Buttons | 8. Foil Cutter |
| 3. Corkscrew spiral | 9. Stainless steel wine preserver (pump) |
| 4. Visual uncorking zone | 10. On switch for wine preserver |
| 5. Charging Base | 11. Power Adapter |
| 6. Wine Stopper (2 pieces) | |



SPECIFICATIONS

Battery type	Ni-MH, rechargeable, AA size
Voltage	3.6V (3 batteries of 1.2V) each appliance
Adapter Input	120V AC 60 Hz 3.7W
Adapter Output	9.0V DC, 200mA
Charging Time	Approx. 12 Hours



Fax +32 2 359 95 50

Copies of the I/B. Please reproduce them without any changes except under special instruction from Team International BELGIUM. The pages must be reproduced and folded in order to obtain a booklet A5 (+/- 148.5 mm width x 210 mm height). When folding, make sure you keep the good numbering when you turn the pages of the I/B. Don't change the page numbering. Keep the language integrity. **Print only what is inside the frame.**



OPERATING INSTRUCTIONS

We recommend that you charge your electric wine bottle opener and preserver for at least twelve hours before using for the first time. Please follow the instructions for charging below:

Recharging Your Electric Wine Bottle Opener / Preserver

- Plug one end of the adapter cord into the base of the recharging unit and the other end into a power outlet.
- Place the electric wine bottle opener into the left socket of the base and the preserver into the right socket of the charging base. Give the wine opener or preserver a rotating motion until you feel the units drop in place into the sockets.
- Ensure that both units are firmly in position and fully engaged into the charging connector. **Please note:** the wine bottle opener or preserver will only fit into the charging base one way. The blue light will turn on when the units are seated properly and base is connected in a wall socket.
- It will take approximately 12 hours to recharge your electric wine center fully.
- When fully charged your wine bottle opener can be used to open approximately 25 to 30 wine bottles in one single charge.
- You can leave the adapter connected to maintain the full charge on both units, or disconnect it after 12 hours (in this case the blue light will not be on).

Foil Cutter

- The foil cutter can be stored on the charging base.
- Before removing the cork you must remove any foil from the bottle.
- Attach the foil cutter to the top of the wine bottle.
- Keep one hand on the lower part of the bottle and turn the foil cutter in twisting motion to remove foil.
- Remove foil to expose cork surface.

Wine pourer

- Insert the wine pourer gently into the neck of the opened wine bottle, making sure not to disturb the rubber collar at the base of the pourer.



Fax +32 2 359 95 50

Copies of the I/B. Please reproduce them without any changes except under special instruction from Team International BELGIUM. The pages must be reproduced and folded in order to obtain a booklet A5 (+/- 148.5 mm width x 210 mm height). When folding, make sure you keep the good numbering when you turn the pages of the I/B. Don't change the page numbering. Keep the language integrity. **Print only what is inside the frame.**



- Using the pourer will oxygenate the wine while pouring, and avoid annoying drips along the bottle when done.
- The pourer is equipped with a stop cap that you can use to store opened wine bottles for a very short period.

Wine Preserver

- By removing the oxygen from the bottle, the wine preserver will prevent the early oxidation of the wine which dulls and damages the taste of the wine (red wines especially).
- The wine center is provided with 2 special wine stoppers that will keep the air from reentering the bottle after using the wine preserver. The stoppers always need to be used in conjunction with the wine preserver.
- The wine stoppers are equipped with a silver ring that will enable you to indicate the date at which the wine preserver has last been used, and therefore to keep track of the time the bottle has been opened.
- We recommend drinking the content of an opened bottle within 3 to 5 days maximum to preserve its qualities.

To Operate Your Electric Wine Bottle Opener

- Place the electric wine bottle opener on top of the wine bottle making sure that it remains as upright as possible at all times. If you hold the electric wine bottle opener at an angle to the bottle it will not remove the cork properly.
- Hold the electric wine bottle opener firmly and depress the down (or lower) button. The corkscrew spiral will turn in a counterclockwise direction, enter the cork, and gradually remove the cork from the bottle. When the wine bottle opener stops, the cork has been fully removed from the bottle.
- Lift the wine bottle opener up and away from the bottle. To remove the cork, depress the up (or top) button. The spiral will turn in a clockwise direction and release the cork.
- Always return the electric wine bottle opener to the charging base when finished. This will protect the mechanism while it is not in use.

To Operate Your Electric Wine Preserver

- Insert a wine stopper into the neck of the opened wine bottle.



Fax +32 2 359 95 50

Copies of the I/B. Please reproduce them without any changes except under special instruction from Team International BELGIUM. The pages must be reproduced and folded in order to obtain a booklet A5 (+/- 148.5 mm width x 210 mm height). When folding, make sure you keep the good numbering when you turn the pages of the I/B. Don't change the page numbering. Keep the language integrity. **Print only what is inside the frame.**



- Place the bottle on a flat, stable surface and position the electric wine preserver unit on top of the wine stopper; making sure that it remains as upright as possible at all times. If you hold the electric wine bottle preserver at an angle to the bottle it will not remove the air from the bottle properly.
- Hold the electric wine bottle preserver firmly and press on the button.
- The wine preserver's internal part will start working in an up and down motion, with a clacking noise, and gradually removes the air from the bottle while the stopper prohibits the air from reentering the bottle.
- The wine bottle preserver stops automatically after 20 seconds. Do not release the button until the wine preserver stops.

Note: if the bottle is more than half empty, you should repeat the process a second time to make sure all the oxygen has been vacuumed from the bottle.

- Lift the wine bottle preserver up and away from the bottle.
- Always return the electric wine bottle preserver to the charging base when finished. This will protect the mechanism while it is not in use.

Date Indicators on wine stoppers

- Use the " ▼ " symbol to indicate the date when the bottle was sealed with your Wine Preserver.
- Gently swivel the silver ring to left or right until the correct date is in line with the " ▼ " symbol.

Opening a bottle sealed with the wine preserver

- Firmly hold the bottle in one hand and gently remove the wine stopper away from the bottle with the other hand.
- Store the wine stoppers in a clean safe place or on the base until the next use.

Note: you can remove the vacuum in the bottle also by pressing the pin at the centre of the wine stopper to the side; if the bottle was sealed recently you should hear the air entering the bottle again.



Fax +32 2 359 95 50

Copies of the I/B. Please reproduce them without any changes except under special instruction from Team International BELGIUM. The pages must be reproduced and folded in order to obtain a booklet A5 (+/- 148.5 mm width x 210 mm height). When folding, make sure you keep the good numbering when you turn the pages of the I/B. Don't change the page numbering. Keep the language integrity. **Print only what is inside the frame.**



CLEANING AND STORAGE

- Clean the exterior surface of the product by wiping it with a soft, damp cloth.
- Do not use any abrasive cleaners or solvents, as product damage will occur.
- Do not attempt to clean any inside surfaces of the wine bottle opener or preserver.
- We recommend that you always return your Wine Opener and Wine Preserver to the charging base so that they are fully charged and available to use at any time.
- Store the set on its base in a clean, dry place when it is not in use.

Store the appliance in a dry location. Do not place any heavy items on top of appliance during storage as this may result in possible damage of the appliance. Store the charging adaptor in a clean, dry location away from metal objects. Always check the plug before use to assure metal items have not become attached.

ENVIRONMENTAL PROTECTION

If the appliance should no longer work at all, please make sure that it is disposed of in an environmentally friendly way. Please do not put it with your household waste.



Fax +32 2 359 95 50

Copies of the I/B. Please reproduce them without any changes except under special instruction from Team International BELGIUM. The pages must be reproduced and folded in order to obtain a booklet A5 (+/- 148.5 mm width x 210 mm height). When folding, make sure you keep the good numbering when you turn the pages of the I/B. Don't change the page numbering. Keep the language integrity. **Print only what is inside the frame.**



WARRANTY

We suggest that you complete and return the enclosed Product Registration Card promptly to facilitate verification of the date of original purchase. However, return of the Product Registration Card is not a condition of these warranties. You can also fill out this warranty card online, at the following address: www.KALORIK.com

This KALORIK product is warranted in the U.S.A. for 1 year from the date of purchase against defects in material and workmanship. This warranty is not transferable. Keep the original sales receipt. Proof of purchase is required to obtain warranty performance.

During this period, if the KALORIK product, upon inspection by KALORIK, is proven defective, it will be repaired or replaced, at Kalorik's option, without charge to the customer. If a replacement product is sent, it will carry the remaining warranty of the original product.

This warranty does not apply to any defect arising from a buyer's or user's misuse of the product, negligence, failure to follow KALORIK instructions noted in the user's manual, use on current or voltage other than that stamped on the product, wear and tear, alteration or repair not authorized by KALORIK, or use for commercial purposes. There is no warranty for glass parts, glass containers, filter basket, blades and agitators, and accessories in general. There is also no warranty for parts lost by the user.

ANY WARRANTY OF MERCHANTABILITY OR FITNESS WITH RESPECT TO THIS PRODUCT IS ALSO LIMITED TO THE ONE YEAR LIMITED WARRANTY PERIOD.

Some states do not allow limitation on how long an implied warranty lasts or do not allow the exclusion of incidental or consequential damages, so the above limitations may not apply to you. This warranty gives you specific legal rights, and you may also have other rights which vary from state to state.



Fax +32 2 359 95 50

Copies of the I/B. Please reproduce them without any changes except under special instruction from Team International BELGIUM. The pages must be reproduced and folded in order to obtain a booklet A5 (+/- 148.5 mm width x 210 mm height). When folding, make sure you keep the good numbering when you turn the pages of the I/B. Don't change the page numbering. Keep the language integrity. **Print only what is inside the frame.**



If the appliance should become defective within the warranty period and more than 30 days after date of purchase, do not return the appliance to the store: often, our Customer Service Representatives can help solve the problem without having the product serviced. If servicing is needed, a Representative can confirm whether the product is under warranty and direct you to the nearest service location.

If this is the case, bring the product, or send it, postage prepaid by the user (all Kalorik customers are responsible for the initial shipment back to the warranty center), along **with proof of purchase** and a **return authorization number** indicated on the outer package, given by our Customer Service Representatives. Send to the authorized KALORIK Service Center (please visit our website at www.KALORIK.com or call our Customer Service Department for the address of our authorized KALORIK Service Center). When sending the product, please include a letter explaining the nature of the claimed defect.

If you have additional questions, please call our Customer Service Department (please see below for complete contact information), Monday through Thursday from 9:00am - 5:00pm (EST) and Friday from 9:00am - 4:00pm (EST). Please note hours are subject to change.

If you would like to write, please send your letter to:

KALORIK Customer Service Department
Team International Group of America Inc.
1400 N.W 159th Street, Suite 102
Miami Gardens, FL 33169 USA

Or call:

Toll Free: +1 888-521-TEAM / +1 888-KALORIK

Only letters can be accepted at this address above. Shipments and packages that do not have a return authorization number will be refused.



Fax +32 2 359 95 50

Copies of the I/B. Please reproduce them without any changes except under special instruction from Team International BELGIUM. The pages must be reproduced and folded in order to obtain a booklet A5 (+/- 148.5 mm width x 210 mm height). When folding, make sure you keep the good numbering when you turn the pages of the I/B. Don't change the page numbering. Keep the language integrity. **Print only what is inside the frame.**



(SP) MANUAL DE INSTRUCCIONES

CONSEJOS DE SEGURIDAD

Cuando use algún aparato eléctrico siempre deben seguirse precauciones básicas de seguridad incluyendo las siguientes:

- 1. LEA TODAS LAS INSTRUCCIONES.**
2. No utilice el aparato en exteriores y no cargue la unidad en exteriores.
3. Solamente para usar en interiores. No exponga el abrebotellas eléctrico, el preservador de vino o su cargador a la lluvia o cualquier severa condición climática.
4. No permita que esta unidad sea usada como un juguete. Se requiere prestar mucha atención cuando la unidad sea usada por niños o cerca de ellos.
5. Utilice el abridor eléctrico para botella de vino solamente en la forma adecuada y para la finalidad con la que fue ideado.
6. No lo utilice si su cable o enchufe se encuentran dañados. No lo utilice si se ha caído, dañado, si ha sido dejado en el exterior, o si fue arrojado al agua. Devuélvalo a la agencia de servicio autorizada para su revisión, reparación y/ o ajuste.
7. Nunca fuerce el abridor eléctrico para botella de vino para introducirlo en una botella ni trate de aumentar la velocidad del mecanismo. La unidad trabajará en forma óptima cuando se la haga funcionar a la velocidad adecuada.
8. No trate de abrir las unidades o su cargador. Sus partes no pueden ser reparadas. Cargue las unidades solamente con la base de carga y el adaptador provisto para la misma.
9. No trate de abrir botellas si el interruptor no funciona correctamente.
10. No toque ni ajuste el mecanismo del abridor eléctrico, o del preservador de vino, ni tampoco su espiral saca-corcho. Sostenga el abridor eléctrico para botella de vino solamente por su carcasa.
11. Para evitar el riesgo de shock eléctrico, no introduzca el abridor eléctrico o el preservador en agua ni en ningún otro líquido. Esto podría ocasionar daños personales y/o daños al producto.



Fax +32 2 359 95 50

Copies of the I/B. Please reproduce them without any changes except under special instruction from Team International BELGIUM. The pages must be reproduced and folded in order to obtain a booklet A5 (+/- 148.5 mm width x 210 mm height). When folding, make sure you keep the good numbering when you turn the pages of the I/B. Don't change the page numbering. Keep the language integrity. **Print only what is inside the frame.**



12. El uso de accesorios no recomendados para este producto vendidos por el fabricante del mismo pueden causar incendios, shock eléctrico, heridas, y/o daños al producto
13. Nunca desconecte la unidad del enchufe tirando del cable.
14. Para evitar riesgos de incendio, no haga funcionar la unidad en presencia de explosivos y/o vapores inflamables.
15. No maltrate el cable del cargador. Nunca arrastre el cargador o la base del mismo por su cable ni tire del cable para desconectarlo de un enchufe; en lugar de ello, tome el cargador y desconecte el cable del mismo. Luego desconecte el adaptador de la toma-corriente.
16. Mantenga el cable del cargador lejos de superficies calientes.
17. No manipule el aparato o su enchufe con las manos húmedas.
18. No utilice materiales o productos abrasivos para limpiar el abridor eléctrico para botella de vino. No sumerja la unidad en agua ni en ningún otro líquido.
19. Lea todas las instrucciones de manejo y guíese por las mismas.
20. No utilice el cargador con ninguna extensión de cable. Conecte el cable directamente en una toma-corriente. Utilice el cargador solamente en un toma-corriente estándar (110-120V Volt, 60 Hz)
21. Este aparato contiene baterías recargables. No eche este producto al fuego ya que esto puede causar una explosión.

CUIDADO: El saca-corcho es filoso. Manéjelo con cuidado. Mantenga sus manos y los utensilios fuera de la unidad durante su funcionamiento para evitar toda posibilidad de graves daños personales y/o daños al producto o propiedad.

GUARDE ESTAS INSTRUCCIONES PARA USO HOGAREÑO SOLAMENTE

ALERTAS DE SEGURIDAD



Aunque su aparato es de fácil manejo, usted deberá seguir las siguientes instrucciones para su seguridad:

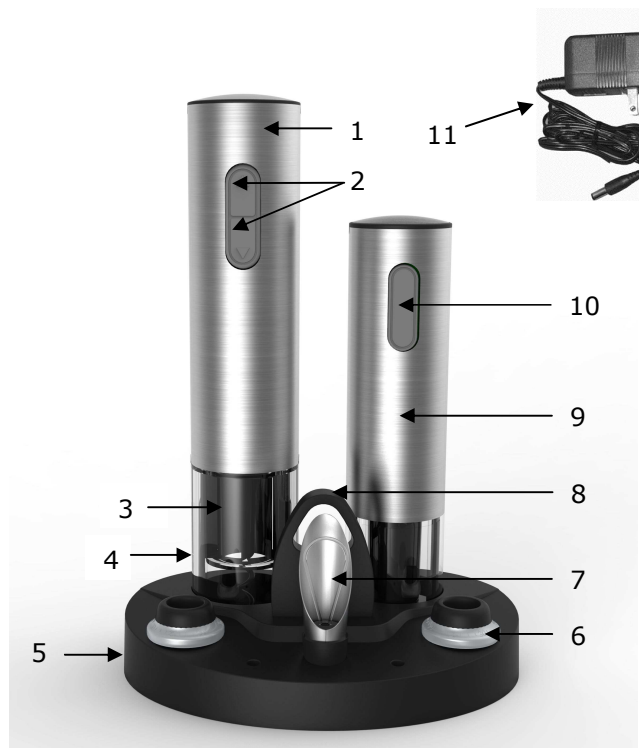
1. No coloque el aparato cerca de una fuente de calor.
2. Utilice el aparato en una superficie estable.
3. No desconecte el adaptador tirando del cable.



4. La unidad deberá estar desconectada:
- Antes de su limpieza y/o mantenimiento.
 - Si aparenta tener algún defecto.

PARTES

- | | |
|--------------------------------------|--|
| 1. Abrebotellas de acero inoxidable | 7. Vertedor de vino con tapón |
| 2. Botones de Encendido Arriba/Abajo | 8. Cortador de Hoja de Aluminio |
| 3. Espiral saca-corcho. | 9. Preservador de vino de acero inoxidable (bomba) |
| 4. Zona de desencorchado | 10. Interruptor del preservador |
| 5. Base de Carga | 11. Adaptador de Corriente |
| 6. Tapón (2 unidas) | |





Fax +32 2 359 95 50

Copies of the I/B. Please reproduce them without any changes except under special instruction from Team International BELGIUM. The pages must be reproduced and folded in order to obtain a booklet A5 (+/- 148.5 mm width x 210 mm height). When folding, make sure you keep the good numbering when you turn the pages of the I/B. Don't change the page numbering. Keep the language integrity. **Print only what is inside the frame.**



ESPECIFICACIONES

Tipo de Batería	Ni-MH, recargable, tipo AA
Voltaje	3.6V (3 baterías de 1.2V- cada una)
Adaptador de Entrada	120V AC 60 Hz 3.7W
Adaptador de Salida	9.0V DC, 200mA
Tiempo de Carga	Aprox. 12 Horas

INSTRUCCIONES DE MANEJO

Le recomendamos que recargue su abrebotellas de vino eléctrico y su preservador durante un mínimo de doce (12) horas antes de utilizarlo por primera vez. Por favor, siga las instrucciones de re-carga que se dan a continuación:

Cómo recargar su abrebotellas de vino eléctrico y el preservador

- Conecte un extremo del cable adaptador en la base de la unidad de recarga y el otro extremo en un toma corriente.
- Coloque el abrebotellas dentro de la toma izquierda de la base del cargador y el preservador en la toma de la derecha. Gire el abrebotellas y el preservador hasta que sienta que se han ajustado bien a la toma.
- Asegurándose de que ambos se encuentren en la posición adecuada y completamente ajustados en el conector de carga. Por favor, note que el abrebotellas de vino, y el preservador encajan en el cargador solamente de una forma. Una vez que las unidades estén correctamente ajustadas, la luz azul se encenderá.
- El tiempo de recarga completa del aparato será aproximadamente de 12 horas.
- Una vez cargado en forma completa, su abrebotellas de vino eléctrico puede ser utilizado para abrir aproximadamente entre 25 y 30 botellas de vino, en una sola carga.



Fax +32 2 359 95 50

Copies of the I/B. Please reproduce them without any changes except under special instruction from Team International BELGIUM. The pages must be reproduced and folded in order to obtain a booklet A5 (+/- 148.5 mm width x 210 mm height). When folding, make sure you keep the good numbering when you turn the pages of the I/B. Don't change the page numbering. Keep the language integrity. **Print only what is inside the frame.**



- Puede dejar el adaptador conectado para mantener la carga completa en ambas unidades o desconectarlo después de 12 horas, (en este caso la luz azul no estará encendida).

Cortador de la hoja de aluminio

- El cortador de la hoja de aluminio puede ser almacenado en la base de recarga.
- Antes de extraer el corcho usted debe remover cualquier hoja de aluminio de la botella.
- Coloque el cortador de hoja de aluminio en la parte superior de la botella de vino.
- Sostenga con su mano la botella por la parte inferior y haga girar el cortador de hoja de aluminio hasta remover la hoja de aluminio.
- Retire la hoja de aluminio para dejar el corcho al descubierto.

Vertedor de vino

- Coloque el vertedor de vino en el cuello de la botella abierta, teniendo cuidado de no perturbar el collar de goma en la base del vertedor.
- El vertedor permite que el vino se oxigene mientras se vierte y evita goteos a lo largo de la botella.
- El vertedor está equipado con un tope que puede utilizarse para guardar la botella de vino abierta durante un periodo muy corto de tiempo.

Preservador de vino

- Al eliminar el oxígeno de la botella, el preservador de vino evitará los principios de oxidación que entorpece y daña el sabor de los vinos (especialmente los tintos) .
- El centro de vinos cuenta con 2 tapones especiales que impiden que el aire vuelva a entrar en la botella tras usar el preservador de vinos. Los tapones siempre necesitan ser utilizados en unión con el preservador de vino.
- Los tapones de vino están equipados con un anillo plateado que le permitirá indicar la fecha en la que el conservador de vinos se utilizó por última vez y por tanto hacer un seguimiento de las veces que la botella ha sido abierta.



Fax +32 2 359 95 50

Copies of the I/B. Please reproduce them without any changes except under special instruction from Team International BELGIUM. The pages must be reproduced and folded in order to obtain a booklet A5 (+/- 148.5 mm width x 210 mm height). When folding, make sure you keep the good numbering when you turn the pages of the I/B. Don't change the page numbering. Keep the language integrity. **Print only what is inside the frame.**



- Se recomienda beber el contenido de una botella abierta entre 3 a 5 días como máximo para preservar sus cualidades.

Cómo Poner en Funcionamiento su Abrebotellas de vino eléctrico

- Coloque el abrebotellas asegurándose de que el mismo se mantenga todo el tiempo lo más vertical posible. Si usted mantiene el abridor eléctrico de ángulo respecto de la botella, su abridor no extraerá el corcho en forma apropiada.
- Sostenga el abridor firmemente y afloje el botón que indica "hacia abajo", o sea el botón inferior. El espiral saca-corcho girará en el sentido contrario a las agujas del reloj, penetrará en el corcho, y extraerá el corcho de la botella gradualmente. Cuando el abridor se detenga, el corcho habrá sido extraído completamente de la botella.
- Levante el abridor y sáquelo de la botella. Para remover el corcho del abridor, afloje el botón que indica "arriba". El espiral girará en el sentido de las agujas del reloj y removerá el corcho.
- Recuerde volver a colocar el abrebotellas en la base de recarga después de haberlo usado. Esto protegerá el mecanismo mientras la unidad no se utilice.

Cómo Poner en Funcionamiento su preservador de vino

- Introduzca un tapón en la botella abierta.
- Coloque la botella en una superficie plana y estable y coloque el preservador de vino eléctrico en la parte superior del tapón; asegurándose de que la bomba se mantenga todo el tiempo lo más vertical posible. Si usted mantiene el conservador de vino en posición de ángulo respecto de la botella, este no eliminará el aire de la botella correctamente.
- Sostenga el conservador con firmeza y presione el botón.
- La parte interna del preservador de vino comenzará a trabajar en un movimiento de hacia arriba y hacia abajo, con un ruido de traqueteo y eliminará gradualmente el aire de la botella mientras que el tapón impide que el aire vuelva a entrar en la misma.
- El preservador de vino se detiene automáticamente después de 20 segundos. No suelte el botón hasta que el preservador de vino se detenga. Atención: si la botella esta medio vacía, se



Fax +32 2 359 95 50

Copies of the I/B. Please reproduce them without any changes except under special instruction from Team International BELGIUM. The pages must be reproduced and folded in order to obtain a booklet A5 (+/- 148.5 mm width x 210 mm height). When folding, make sure you keep the good numbering when you turn the pages of the I/B. Don't change the page numbering. Keep the language integrity. **Print only what is inside the frame.**



debe repetir el proceso una segunda vez para asegurarse de que todo el oxígeno ha sido aspirado de la botella.

- Levante el preservador y quítelo de la botella.
- Recuerde volver a colocar el preservador de vino en la base de recarga después de haberlo usado. Esto protegerá el mecanismo mientras la unidad no se utilice.

Indicadores de fecha en los tapones

- Utilice el símbolo " ▼ " para indicar la fecha en la que la botella se selló con el conservador de vino.
- Gire suavemente el anillo plateado hacia la izda o dcha hasta que la fecha correcta este en línea con el símbolo " ▼ ".

Abrir una botella sellada con el preservador de vino

- Sujete firmemente la botella en una mano y quite con cuidado el tapón de vino fuera de la botella con la otra mano.
- Guarde los tapones en un lugar seguro y limpio o en la base hasta el siguiente uso.

Nota: También se puede quitar el vacío de la botella presionando el pasador en el centro del tapón a un lado. Si la botella fue sellada recientemente oírás como el aire entra otra vez en la botella.

LIMPIEZA Y ALMACENAMIENTO

- Limpie la superficie exterior del producto con la ayuda de un trapo suave humedecido.
- No utilice ningún producto de limpieza abrasivo o disolvente, ya que esto podría ocasionar daños al aparato.
- No intente limpiar ninguna de las superficies/caras interiores del abrebotellas o del preservador de vino.
- Le recomendamos que coloque siempre el abridor y el preservador en el cargador para que así estén siempre listos para el uso cuando lo desee.
- Almacene el producto en un lugar limpio y seco cuando no esté siendo utilizado.



Fax +32 2 359 95 50

Copies of the I/B. Please reproduce them without any changes except under special instruction from Team International BELGIUM. The pages must be reproduced and folded in order to obtain a booklet A5 (+/- 148.5 mm width x 210 mm height). When folding, make sure you keep the good numbering when you turn the pages of the I/B. Don't change the page numbering. Keep the language integrity. **Print only what is inside the frame.**



Almacene el producto en un lugar seco. No coloque ningún artículo pesado arriba del aparato estando almacenado, ya que esto podría causar daños en el mismo. Almacene el adaptador de carga en un lugar limpio y seco lejos de cualquier objeto metálico. Revise siempre el enchufe antes de usar el aparato, para asegurarse de que ningún artículo metálico se ha adherido al aparato.

PROTECCIÓN AMBIENTAL

Si el aparato dejara de funcionar, por favor asegúrese de descartarlo en un medio ambiente gentil. Por favor no lo ponga en el depósito de basura de su casa.



Fax +32 2 359 95 50

Copies of the I/B. Please reproduce them without any changes except under special instruction from Team International BELGIUM. The pages must be reproduced and folded in order to obtain a booklet A5 (+/- 148.5 mm width x 210 mm height). When folding, make sure you keep the good numbering when you turn the pages of the I/B. Don't change the page numbering. Keep the language integrity. **Print only what is inside the frame.**



GARANTÍA

Le sugerimos rellenar y nos envíen rápidamente la Tarjeta de Registro de Producto adjunta para facilitar la verificación de la fecha de compra. Por lo tanto, la devolución de esa Tarjeta de Registro de Producto no es una condición imprescindible para la aplicación de esa garantía. Puede también rellenar dicha tarjeta de garantía en línea en la dirección siguiente: www.KALORIK.com

A partir de la fecha de compra, este producto KALORIK está garantizado un año contra los defectos materiales y de fabricación, en los Estados Unidos. Esta garantía no es transferible. Conserve la prueba de compra original. Se exige una prueba de compra para obtener la aplicación de la garantía.

Durante este período, si el producto KALORIK después de una inspección por parte de KALORIK, se manifiesta defectuoso, será reparado o reemplazado, según lo que decida KALORIK, sin gastos para el consumidor. Si se envía un producto de reemplazo, se aplicará la garantía que queda del producto original.

Esta garantía no se aplica a los defectos causados por una mala utilización por parte del comprador o del usuario, o una negligencia al no respeto del manual de instrucciones KALORIK, o una utilización en un circuito eléctrico cuyo voltaje es diferente al que figura en el producto, o un desgaste normal, o modificaciones o reparaciones no autorizadas por KALORIK, o por un uso con fines comerciales. No existe garantía por las partes de cristal, jarras de cristal, filtros, cestos, cuchillas y accesorios en general. No existe tampoco garantía por las piezas perdidas por el usuario.

Toda garantía de valor comercial o de adaptabilidad a este producto está limitada a un año también.

Algunos estados no ponen límites a la duración de la garantía tácita o no autorizan la exclusión de daños y perjuicios accesorios o indirectos, por lo que puede que las restricciones anteriormente mencionadas no le sean aplicables a Usted. Esta garantía le otorga derechos legales particulares, pero usted puede tener también otros



Fax +32 2 359 95 50

Copies of the I/B. Please reproduce them without any changes except under special instruction from Team International BELGIUM. The pages must be reproduced and folded in order to obtain a booklet A5 (+/- 148.5 mm width x 210 mm height). When folding, make sure you keep the good numbering when you turn the pages of the I/B. Don't change the page numbering. Keep the language integrity. **Print only what is inside the frame.**



derechos que varían de un estado a otro y algunos derechos pueden variar de un estado a otro.

Si el aparato tuviera un defecto durante el periodo de garantía y / o más de 30 días después de que se compró, no devuelva el aparato en la tienda donde le compró: a menudo, nuestro Servicio al Consumidor puede ayudar a resolver el problema sin que el producto tenga que ser reparado. Si hace falta una reparación, uno de nuestros representantes puede confirmar si el producto está bajo garantía y dirigirle al servicio post-venta más próximo.

Si fuera el caso, traiga el producto (o envíelo, correctamente franqueado) con la **prueba de compra** que mencione **el número de autorización de devolución** indicado por nuestro Servicio al Consumidor, al servicio post-venta KALORIK más próximo. (Visite nuestra web www.KALORIK.com o llame al Servicio al Consumidor para obtener la dirección del Servicio post-venta KALORIK exclusivo más próximo).

Si envía el producto, le rogamos añadan una carta explicando la naturaleza del defecto.

Si tiene preguntas adicionales, por favor llame al Servicio al Consumidor (véase abajo para los datos completos), de lunes a jueves, de las 9:00 a las 17:00 (EST), y el viernes de las 9:00 a las 16:00 (EST). Note que las horas pueden ser modificadas.

Si quiere escribirnos, puede hacerlo a la dirección siguiente:

KALORIK Servicio al Consumidor

Team International Group of America Inc.
1400 N.W 159th Street, Suite 102
Miami Gardens, FL 33169 USA

O llame gratuitamente (U.S.A.) al +1 888-521-TEAM / +1 888-KALORIK

Las cartas se aceptan solamente en la dirección anteriormente mencionada. Los envíos y paquetes que no tengan número de autorización de devolución serán rechazados.



Fax +32 2 359 95 50

Copies of the I/B. Please reproduce them without any changes except under special instruction from Team International BELGIUM. The pages must be reproduced and folded in order to obtain a booklet A5 (+/- 148.5 mm width x 210 mm height). When folding, make sure you keep the good numbering when you turn the pages of the I/B. Don't change the page numbering. Keep the language integrity. **Print only what is inside the frame.**



(FR) MODE D'EMPLOI

CONSIGNES DE SECURITE

Pour utiliser un appareil électrique, des précautions élémentaires sont à respecter, telles que celles énumérées ci-dessous :

- 1. LISEZ L'ENSEMBLE DES INSTRUCTIONS.**
2. N'utilisez pas ou ne chargez pas à l'extérieur. Pour usage domestique normal uniquement.
3. Utilisation à l'intérieur uniquement. Ne pas exposer le tire-bouchon, la pompe vide d'air ou le chargeur à la pluie ou autres conditions extrêmes.
4. Ne laissez pas cet appareil être utilisé comme un jouet. Faites particulièrement attention lorsque l'appareil est utilisé par ou en présence d'enfants.
5. N'utilisez pas ces appareils à des fins autres que celles pour lesquelles ils sont conçus.
6. Ne faites pas fonctionner l'appareil si son cordon ou sa fiche est endommagée ou si l'appareil a présenté un dysfonctionnement ou est endommagé, ou a été immergé. Retournez l'appareil au centre de service autorisé pour le faire vérifier ou réparer.
7. Ne forcez jamais l'appareil dans la bouteille, et ne tentez pas d'accélérer le mécanisme. L'appareil fonctionne de façon optimale à la vitesse prévue.
8. Ne tentez pas d'ouvrir les appareils ou la base de recharge. Il n'y a pas de parties réparables par l'utilisateur. Rechargez les appareils uniquement avec le chargeur et la base fournis.
9. N'essayez pas d'ouvrir des bouteilles si l'interrupteur ne fonctionne pas correctement.
10. Ne touchez pas ou n'ajustez pas les mécanismes des deux appareils ou la spirale du tire-bouchon. Ne tenez les appareils que par son boîtier.
11. Pour écarter les risques d'électrocution, n'immergez pas le cordon, la fiche, les appareils ou la base dans l'eau ou dans tout autre liquide. Cela pourrait occasionner des blessures et/ou endommager le produit.
12. L'utilisation d'accessoires non recommandés ou vendus par le fabricant présente des risques d'endommagement, d'incendie, d'électrocution ou de blessure.



Fax +32 2 359 95 50

Copies of the I/B. Please reproduce them without any changes except under special instruction from Team International BELGIUM. The pages must be reproduced and folded in order to obtain a booklet A5 (+/- 148.5 mm width x 210 mm height). When folding, make sure you keep the good numbering when you turn the pages of the I/B. Don't change the page numbering. Keep the language integrity. **Print only what is inside the frame.**



13. Ne retirez jamais la prise de la fiche murale en tirant sur le cordon électrique.
14. Pour éviter tout risque de feu, ne faites pas fonctionner l'appareil en présence d'explosifs ou de vapeurs inflammables.
15. Prenez soin du chargeur et de son cordon. Ne portez pas le chargeur ou la base en le tenant par le cordon. Ne tirer pas sur le cordon pour débrancher le chargeur ou déconnecter la base. Au lieu de cela, prenez la base dans la main et tirer la fiche pour déconnecter le cordon. Ensuite, retirez l'adaptateur de la prise murale.
16. Ne laissez pas le cordon pendre de la table ou d'un comptoir et évitez qu'il ne touche une surface chaude.
17. Ne touchez pas la fiche ou l'appareil avec des mains mouillées.
18. N'utilisez pas de matières ou substances abrasives pour nettoyer l'appareil, afin d'éviter d'endommager les surfaces de l'appareil de façon permanente. Ne pas immerger dans l'eau ou tout autre liquide.
19. Lisez et suivez toutes les instructions
20. N'utilisez pas de rallonge avec le chargeur. Branchez le chargeur directement dans la prise électrique. Ne branchez le chargeur que dans une prise électrique standard (110-120V, 60Hz).
21. Ces appareils contiennent des batteries rechargeables. Ne jetez pas les appareils au feu car une explosion accidentelle pourrait survenir.

Attention : le tire-bouchon est coupant. Opérez avec précaution. Laissez les mains et ustensiles loin des pièces mobiles de l'appareil, afin d'éviter tout risque de blessure ou d'endommager l'appareil ou vos biens.

**CONSERVEZ CES INSTRUCTIONS
USAGE DOMESTIQUE UNIQUEMENT**



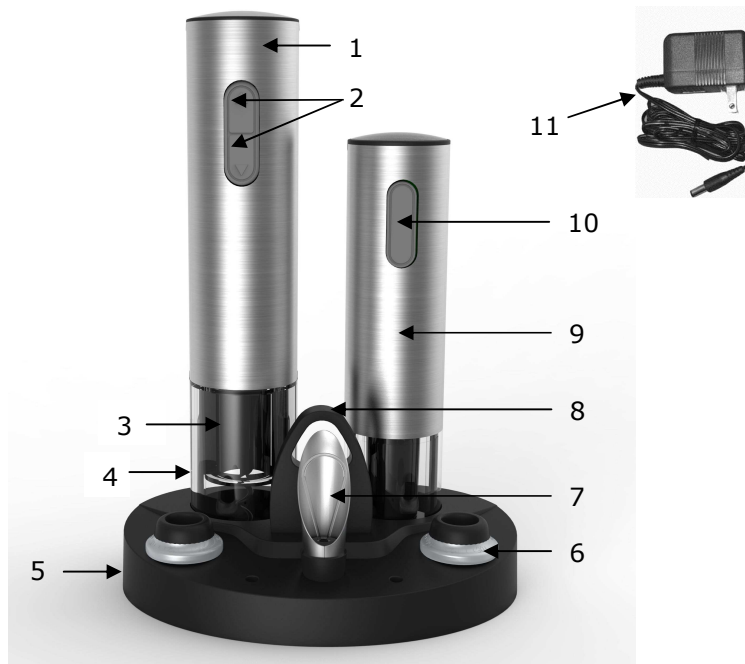
POUR VOTRE SECURITE

Bien que ces appareils soient faciles à utiliser, pour votre sécurité, suivez les conseils suivants:

1. Ne placez pas les appareils près d'une source de chaleur.
2. Utilisez les appareils sur une surface stable.
3. Ne débranchez pas le chargeur en tirant sur le cordon.
4. La base doit être débranchée
 - Avant tout nettoyage ou maintenance
 - Si l'appareil apparaît défectueux.

DESCRIPTION DES PIECES

- | | |
|---|---|
| 1. Tire-bouchon en acier inoxydable | 6. Bouchon stoppeur (2 pièces) |
| 2. Bouton de fonctionnement Haut et bas | 7. Verseur avec bouchon |
| 3. Spirale du tire-bouchon | 8. Coupe-capsule |
| 4. Zone de dé-bouchonnage | 9. Pompe vide d'air |
| 5. Base pour recharge | 10. Bouton de marche pour la pompe vide d'air |
| | 11. Chargeur / Adaptateur |





Fax +32 2 359 95 50

Copies of the I/B. Please reproduce them without any changes except under special instruction from Team International BELGIUM. The pages must be reproduced and folded in order to obtain a booklet A5 (+/- 148.5 mm width x 210 mm height). When folding, make sure you keep the good numbering when you turn the pages of the I/B. Don't change the page numbering. Keep the language integrity. **Print only what is inside the frame.**



SPECIFICATIONS

Type de batteries	Ni-MH, rechargeables, type AA
Voltage	3.6V (3 batteries de 1.2V) pour chaque appareil
Courant en entrée du chargeur	120V AC 60 Hz 3,7W
Courant en sortie du chargeur	9,0V DC, 200mA
Temps de charge	Environ 12 heures

UTILISATION

Nous vous recommandons de charger votre tire-bouchon électrique et la pompe vide d'air pendant au moins 12 heures avant la première utilisation. Pour ce faire, suivez les instructions ci-dessous.

Recharger votre tire-bouchon électrique et la pompe vide d'air

- Branchez la fiche du cordon électrique sur la base et branchez le chargeur dans une prise murale.
- Posez le tire-bouchon sur la base dans l'emplacement de gauche, et placez la pompe vide d'air dans l'emplacement de droite. Donnez à chaque appareil un mouvement de rotation jusqu'à ce que vous sentiez l'appareil tomber dans la bonne position pour la recharge.
- Assurez-vous que les deux appareils soient bien en position et qu'ils soient bien engagés dans les connecteurs de la base de recharge.

Note: le tire-bouchon et la pompe vide d'air ne peuvent être bien positionnés sur la base que d'une seule façon. Une lumière bleue s'illumine quand cela est le cas.

- Il faudra environ 12 heures pour que les appareils soient complètement rechargés.
- Avec une pleine charge, votre tire-bouchon peut ouvrir de 25 à 30 bouteilles.
- Laissez au choix l'appareil connecté à la prise de courant pour le laisser en pleine charge, ou bien déconnectez le chargeur après les 12 heures de charge. Dans le second cas, la lumière bleue ne restera pas illuminée.



Fax +32 2 359 95 50

Copies of the I/B. Please reproduce them without any changes except under special instruction from Team International BELGIUM. The pages must be reproduced and folded in order to obtain a booklet A5 (+/- 148.5 mm width x 210 mm height). When folding, make sure you keep the good numbering when you turn the pages of the I/B. Don't change the page numbering. Keep the language integrity. **Print only what is inside the frame.**



Coupe-capsule

- Le coupe-capsule peut être rangé sur la base
- Avant d'enlever le bouchon, vous devez préalablement retirer tout film ou capsule de la bouteille.
- Apposez le coupe capsule autour du goulot de la bouteille.
- Gardez une main sur la bouteille et tournez le coupe-capsule en le serrant contre le goulot, avec un mouvement circulaire
- Retirer la capsule pour exposer le bouchon.

Verseur

- Insérez le verseur dans le col de la bouteille, en prenant soin de ne pas déplacer le joint caoutchouté situé à la base du verseur.
- En utilisant le verseur, le vin sera mieux oxygéné et vous éviterez les gouttes le long de la bouteille une fois que vous aurez fini de verser.
- Le verseur est pourvu d'un bouchon que vous pouvez utiliser pour fermer la bouteille pour une courte période.

Pompe à vide d'air

- En retirant l'air de la bouteille, la pompe vide d'air évite l'oxydation prématurée du vin, qui en atténue et change le gout (particulièrement en ce qui concerne les vins rouges).
- Le set est pourvu de deux bouchons spéciaux qui empêchent l'air de rentrer dans la bouteille après avoir utilisé la pompe. Ces bouchons spéciaux doivent être utilisés en conjonction avec la pompe.
- Les bouchons stoppeurs sont équipés d'une bague argentée qui vous permet d'indiquer la date ou la pompe a été utilisée sur la bouteille, et donc de garder en mémoire la durée pendant laquelle la bouteille a été débouchée.
- Nous recommandons de consommer une bouteille de vin entamée sous 3 à 5 jours après l'ouverture, pour garder au vin toutes ses qualités.

Utiliser votre tire-bouchon électrique

- Positionnez le tire-bouchon sur le dessus de la bouteille, en prenant soin à ce que la bouteille reste stable et aussi droite que possible à tout moment. Si la bouteille n'est pas droite, et



Fax +32 2 359 95 50

Copies of the I/B. Please reproduce them without any changes except under special instruction from Team International BELGIUM. The pages must be reproduced and folded in order to obtain a booklet A5 (+/- 148.5 mm width x 210 mm height). When folding, make sure you keep the good numbering when you turn the pages of the I/B. Don't change the page numbering. Keep the language integrity. **Print only what is inside the frame.**



maintenue à un certain angle, vous ne pourrez pas la débouchonner correctement.

- Tenez fermement le tire-bouchon et appuyer sur le bouton du bas (flèche vers le bas). La spirale va commencer à tourner dans le sens inverse des aiguilles d'une montre, et après avoir pénétré dans le bouchon, va graduellement le retirer du goulot de la bouteille. Quand le tire-bouchon s'arrête de tourner, le bouchon doit être complètement enlevé de la bouteille.
- Soulevez le tire-bouchon loin de la bouteille. Pour enlever le bouchon, appuyer sur le bouton du haut (flèche vers le haut). La spirale va tourner dans le sens des aiguilles d'une montre et relâcher progressivement le bouchon.
- Remettez toujours l'appareil sur sa base après utilisation. Cela protégera le mécanisme quand il n'est pas utilisé.

Utiliser la pompe à vide d'air

- Insérez un bouchon stoppeur dans le goulot de la bouteille de vin.
- Placez la bouteille sur une surface horizontale et stable et positionnez la pompe à vide d'air sur le dessus du bouchon stoppeur, en prenant soin à ce que la pompe reste stable et aussi droite que possible à tout moment. Si vous maintenez la pompe à un certain angle, vous ne pourrez pas retirer l'air de la bouteille correctement.
- Maintenez la pompe fermement et appuyez sur le bouton.
- La partie interne de la pompe va générer des mouvements rapides de haut en bas, avec des bruits claquants, et retirer petit à petit l'air de la bouteille, pendant que le bouchon stoppeur empêche l'air de rentrer à nouveau dans la bouteille.
- La pompe s'arrêtera automatiquement après 20 secondes. Ne relâchez pas le bouton avant l'arrêt de la pompe.

Note : si la bouteille est plus qu'à moitié vide, il est recommandé de répéter l'opération une seconde fois pour vous assurer que tout l'air a bien été aspiré de la bouteille.

- Retirez la pompe de la bouteille et retournez-la sur sa base de recharge une fois terminé, pour en protéger le mécanisme et assurer une pleine charge lors de l'utilisation suivante.



Fax +32 2 359 95 50

Copies of the I/B. Please reproduce them without any changes except under special instruction from Team International BELGIUM. The pages must be reproduced and folded in order to obtain a booklet A5 (+/- 148.5 mm width x 210 mm height). When folding, make sure you keep the good numbering when you turn the pages of the I/B. Don't change the page numbering. Keep the language integrity. **Print only what is inside the frame.**



Indicateur de date

- Utilisez le symbole " ▼ " sur la bague argentée pour indiquer la date à laquelle la pompe a été utilisée sur la bouteille.
- Tournez doucement la bague argentée vers la gauche ou vers la droite pour faire coïncider le jour du mois avec le symbole " ▼ " sur la bague.

Ouvrir une bouteille scellée avec la pompe vide d'air

- Tenez fermement la bouteille d'une main et tirez délicatement le bouchon stoppeur de l'autre main pour le retirer.
- Rangez les bouchons stoppeurs dans un endroit propre et sec, ou sur la base fournie, jusqu'à l'utilisation suivante.

Note : vous pouvez retirer le vide d'air de la bouteille en pressant le picot au centre du bouchon stoppeur vers le côté ; si la bouteille a récemment été scellée avec la pompe, vous devriez entendre le bruit de l'air pénétrant de nouveau dans la bouteille.

NETTOYAGE ET RANGEMENT

- Nettoyez la surface extérieure de l'appareil en l'essuyant avec un chiffon doux légèrement humide.
- N'utilisez pas de matières ou substances abrasives pour nettoyer l'appareil, afin d'éviter d'endommager les surfaces de l'appareil de façon permanente.
- Ne pas immerger les appareils ou la base dans de l'eau ou tout autre liquide.
- Ne tentez pas de nettoyer les surfaces intérieures des appareils.
- Nous vous recommandons de toujours remettre les appareils sur la base de recharge pour les garder sous pleine charge et disponibles à tout moment.
- Gardez les appareils sur la base, dans un endroit propre et sec.

Conservez les appareils au sec. Ne placez pas d'objets lourds sur l'ensemble pendant son rangement, pour ne pas l'endommager. Gardez le chargeur dans un endroit sec et propre, loin d'autres objets métalliques. Vérifiez toujours la fiche avant l'utilisation pour vous assurer qu'aucun morceau de métal n'est accroché à la fiche



Fax +32 2 359 95 50

Copies of the I/B. Please reproduce them without any changes except under special instruction from Team International BELGIUM. The pages must be reproduced and folded in order to obtain a booklet A5 (+/- 148.5 mm width x 210 mm height). When folding, make sure you keep the good numbering when you turn the pages of the I/B. Don't change the page numbering. Keep the language integrity. **Print only what is inside the frame.**



PROTECTION DE L'ENVIRONNEMENT

Si l'appareil devait arrêter de fonctionner, prenez soin à vous en défaire d'une façon responsable envers l'environnement. Merci de ne pas le jeter pas avec vos déchets ménagers.



Fax +32 2 359 95 50

Copies of the I/B. Please reproduce them without any changes except under special instruction from Team International BELGIUM. The pages must be reproduced and folded in order to obtain a booklet A5 (+/- 148.5 mm width x 210 mm height). When folding, make sure you keep the good numbering when you turn the pages of the I/B. Don't change the page numbering. Keep the language integrity. **Print only what is inside the frame.**



GARANTIE

Nous vous suggérons de remplir et de nous renvoyer rapidement la Carte d'Enregistrement Produit ci-jointe afin de faciliter la vérification de la date d'achat. Cependant, le renvoi de la Carte d'Enregistrement Produit n'est pas une condition indispensable à l'application de la présente garantie. Vous pouvez aussi remplir cette carte de garantie en ligne à l'adresse suivante : **www.KALORIK.com**.

A compter de la date d'achat, ce produit KALORIK est garanti un an, sur le territoire des Etats-Unis, contre les défauts matériels et de fabrication. Cette garantie n'est pas transférable. Conservez la preuve d'achat originelle. Une preuve d'achat est exigée pour obtenir l'application de la garantie.

Durant cette période, le produit KALORIK qui, après inspection par KALORIK, s'avère défectueux, sera réparé ou remplacé, au choix de KALORIK, sans frais pour le consommateur. Si un produit de remplacement est envoyé, c'est la garantie restante du produit originel qui s'appliquera.

La présente garantie ne s'applique pas aux défauts dus à une mauvaise utilisation de la part de l'acheteur ou de l'utilisateur, à une négligence, au non-respect des consignes du manuel d'utilisation KALORIK, à une utilisation sur un circuit électrique au voltage différent de celui renseigné sur le produit, à une usure normale, à des modifications ou réparations non autorisées par KALORIK, ou par un usage à des fins commerciales. Il n'existe pas de garantie pour les parties en verre, récipients en verre, filtres, paniers, lames et accessoires en général. Il n'existe également pas de garantie pour les pièces perdues par l'utilisateur.

Toute garantie de valeur commerciale ou d'adaptabilité à ce produit est également limitée à la garantie d'un an.

Certains états ne limitent pas la longueur de la garantie tacite ou n'autorisent pas l'exclusion de dommages-intérêts accessoires ou indirects, les restrictions ci-dessus peuvent donc ne pas s'appliquer à



Fax +32 2 359 95 50

Copies of the I/B. Please reproduce them without any changes except under special instruction from Team International BELGIUM. The pages must be reproduced and folded in order to obtain a booklet A5 (+/- 148.5 mm width x 210 mm height). When folding, make sure you keep the good numbering when you turn the pages of the I/B. Don't change the page numbering. Keep the language integrity. **Print only what is inside the frame.**



vous. Cette garantie vous donne des droits légaux particuliers, et certains droits peuvent varier d'un état à l'autre.

Si l'appareil devait présenter un défaut durant la période de garantie et plus de 30 jours après l'achat, ne ramenez pas l'appareil au magasin : souvent, notre Service Clientèle peut aider à résoudre le problème sans que le produit ne doive être réparé. Si une réparation est nécessaire, un représentant peut confirmer si le produit est sous garantie et vous rediriger vers notre centre de réparation.

Le cas échéant, ramenez le produit (ou envoyez-le, dûment affranchi), ainsi qu'**une preuve d'achat**, en mentionnant **le numéro d'autorisation de retour**, indiqué par notre service clientèle, au service après-vente KALORIK agréé (visitez notre site internet **www.KALORIK.com** ou appelez notre département Service Clientèle pour obtenir l'adresse du service après-vente KALORIK agréé).

Si vous envoyez le produit, veuillez y joindre une lettre expliquant la nature du défaut.

Si vous avez des questions complémentaires, veuillez appeler notre département Service Clientèle (voyez plus bas pour les coordonnées complètes), du Lundi au Jeudi de 9h à 17h (EST) et le Vendredi de 9h à 16h (EST). Veuillez noter que les heures sont sujettes à modification.

Si vous souhaitez nous écrire, adressez votre courrier à:

KALORIK Customer Service Department

Team International Group of America Inc.
1400 N.W 159th Street, Suite 102
Miami Gardens, FL 33169 USA

Ou appelez (Gratuitement des Etats-Unis): +1 888-521-TEAM ou +1 888-KALORIK.

Seules les lettres seront acceptées à l'adresse ci-dessus. Les envois et colis n'ayant pas de numéro d'autorisation de retour seront refusés.

www.KALORIK.com